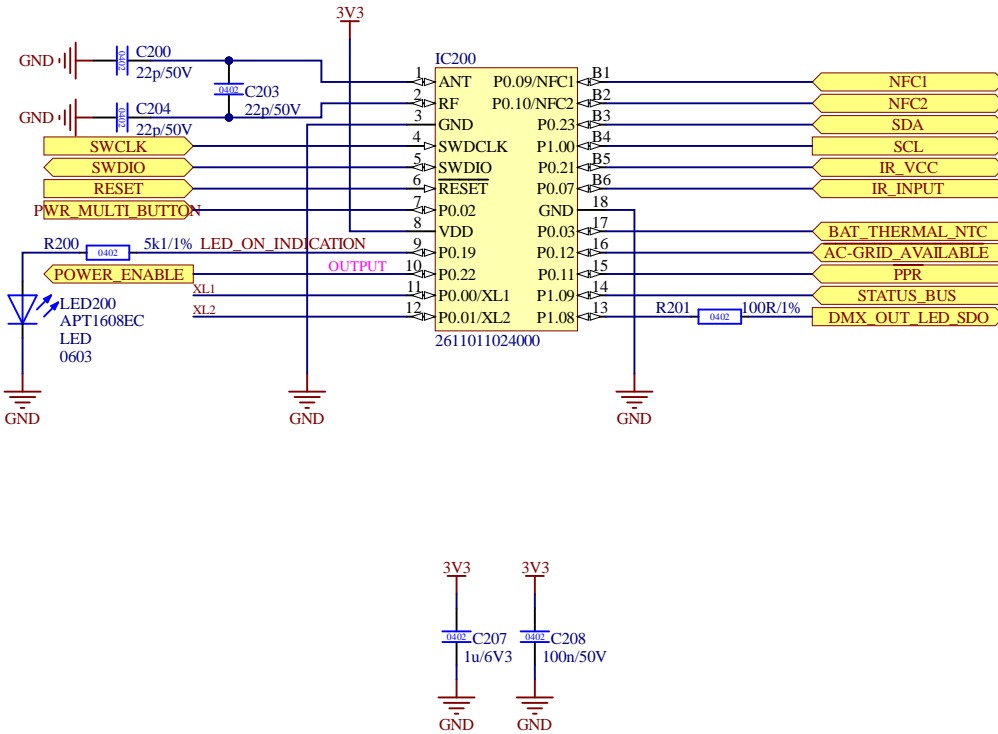
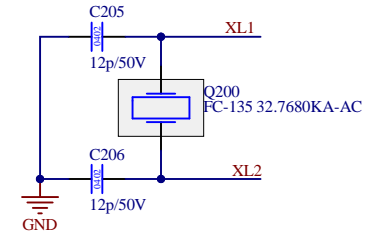


WE Module



Clock Crystal



Project	Vision_External_Module	Revision	1.0
Board	Mainboard	Vision_Core_MCU_Schematic_Wuerth_OpheliaIII.SchDoc	
Date	3/9/2026	Sheet 7 of 8	
Variant	[No Variations]	Drawn by JK	