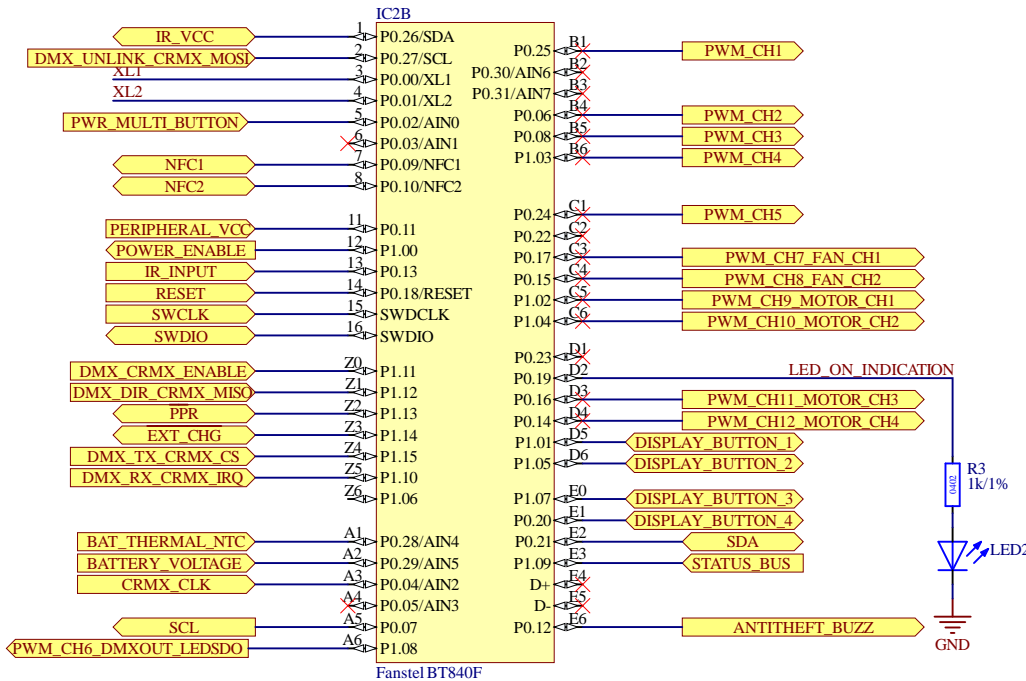
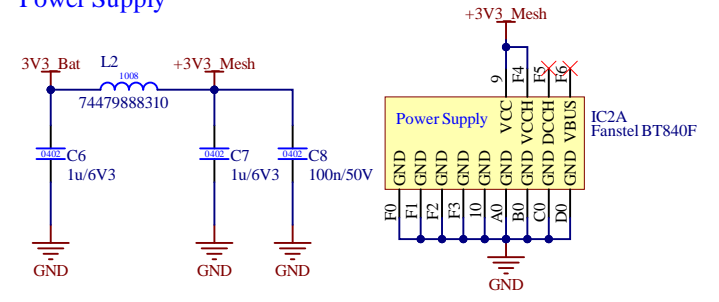


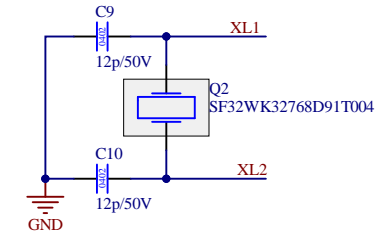
FANSTEL BT840



Power Supply



Clock Crystal



| | | | |
|---------|------------------------|--|-----|
| Project | Vision_External_Module | Revision | 1.0 |
| Board | Mainboard | Vision_Core_MCU_Schematic_Fanstel_BT840.SchDoc | |
| Date | 3/9/2026 | Sheet 3 of 8 | |
| Variant | [No Variations] | Drawn by JK | |