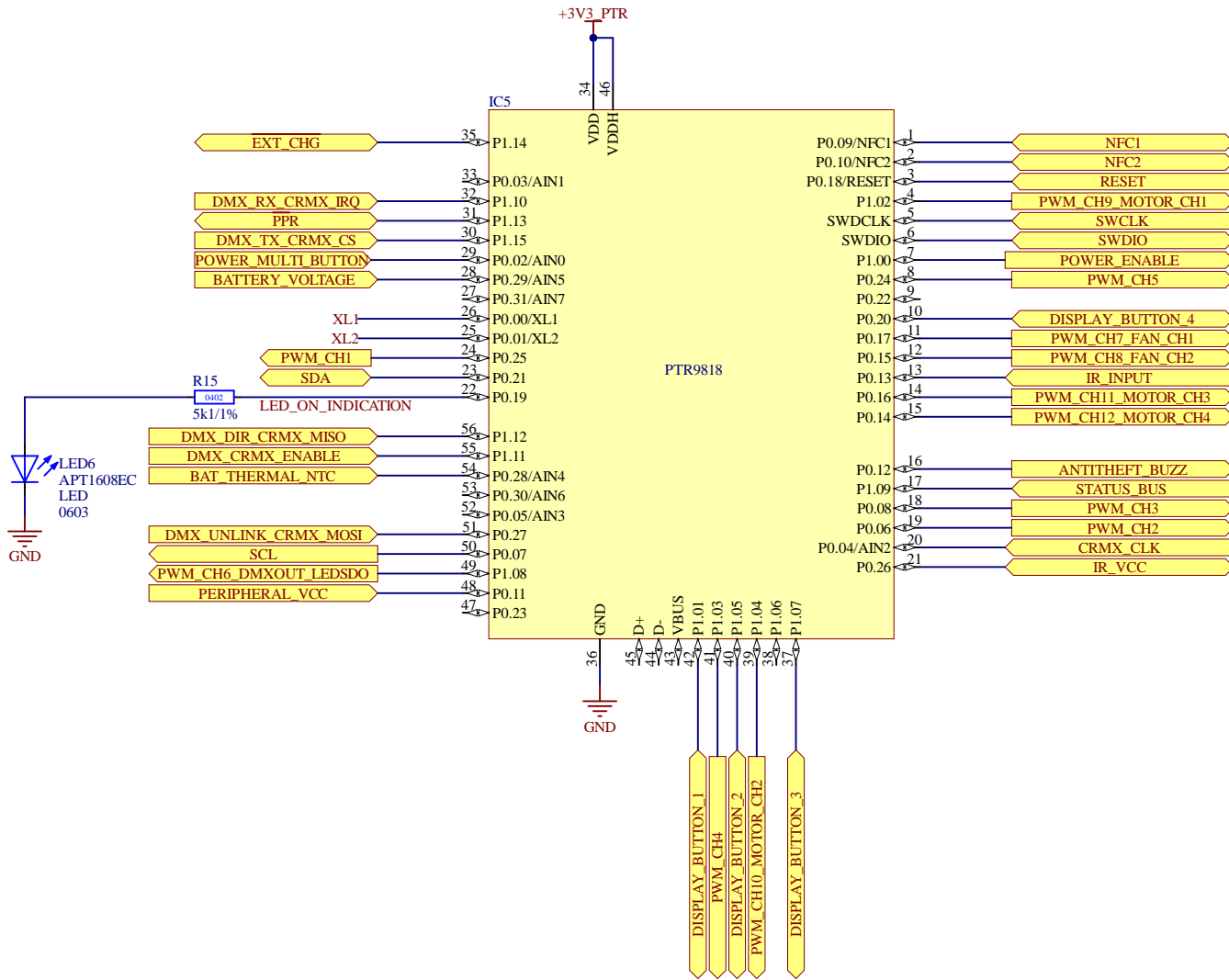
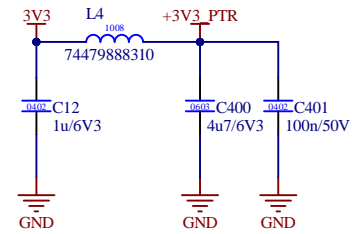


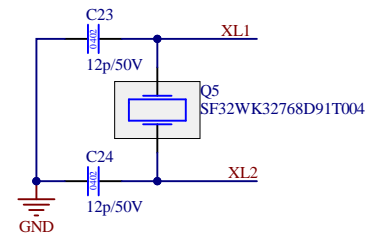
# Abluetech PTR9818



## Power Supply



## Clock Crystal



Project	Vision_External_Module	Revision	1.0
Board	Mainboard	Vision_Core_MCU_Schematic_Abluetech_PTR9818.SchDoc	
Date	3/9/2026	Sheet 5 of 8	
Variant	[No Variations]	Drawn by JK	