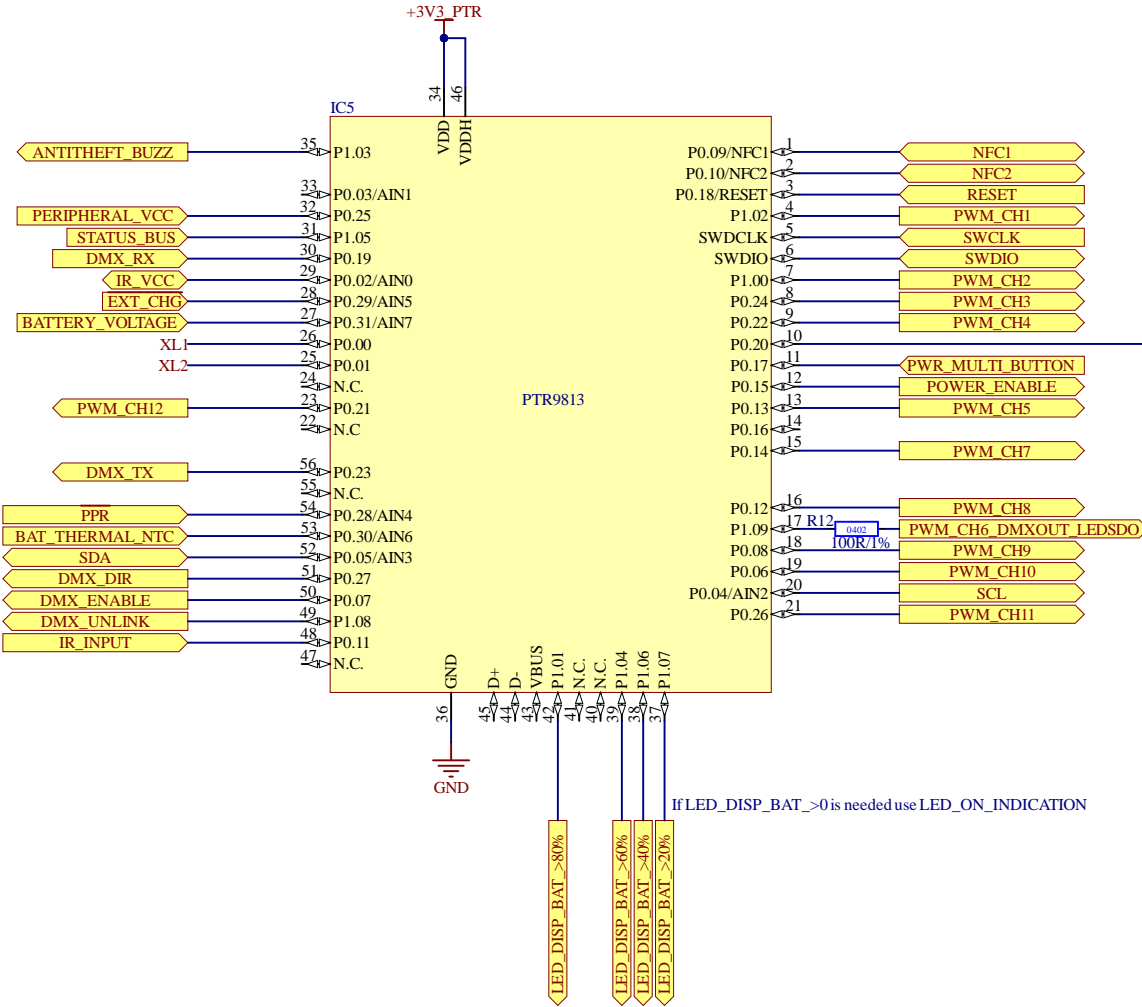
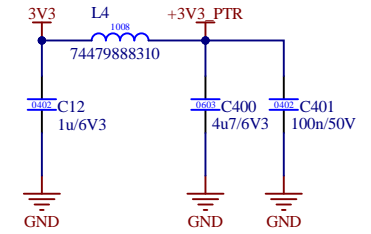


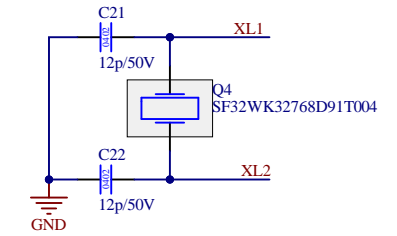
Abluetech PTR9813



Power Supply



Clock Crystal



Project Vision_External_Module	Revision 1.0
Board Mainboard Vision_Core_MCU_Schematic_Abluetech_PTR9813.SchDoc	
Date 3/9/2026	Sheet 4 of 8
Variant [No Variations]	Drawn by JK